

## Coffee System

### Coffee Grinder with Hopper, 0,7 kg, black

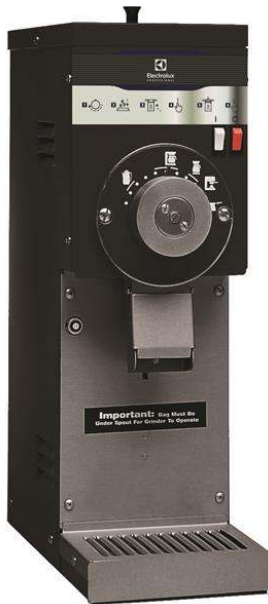
ITEM # \_\_\_\_\_

MODEL # \_\_\_\_\_

NAME # \_\_\_\_\_

SIS # \_\_\_\_\_

AIA # \_\_\_\_\_


**600657 (E835B)**

Single Portion Grinder with one 0,7 kg hopper (grind types: Turkish, Espresso, Fine, Auto Drip, Drip, Percolator, Coarse)

### Short Form Specification

Item No. \_\_\_\_\_

Coffee grinder with hopper, black color. Fast grind time, suitable for various types of coffee. Compact dimensions for table top configuration.

Powerful motor with circuit breaker and manual on/off switch.

### Main Features

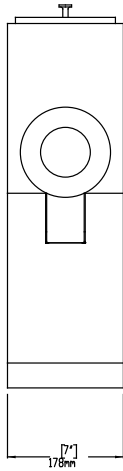
- Easy-to-Follow instructions.
- Fast grind time.
- Steep slope hopper promotes a bean flow without blocking.
- Ideal for all self-service applications, including grocery stores and specialty shops.
- How to Operate:
  - 1. Turn the selector knob to the desired grind setting.
  - 2. Fill the hopper with the desired type and amount of whole bean coffee. Close the lid.
  - 3. Place the bag underneath the spout.
  - 4. Press the start button.
  - 5. Press the stop button after the grinder has completed grinding.
  - 6. Remove bag from coffee spout once coffee is ground.

### Construction

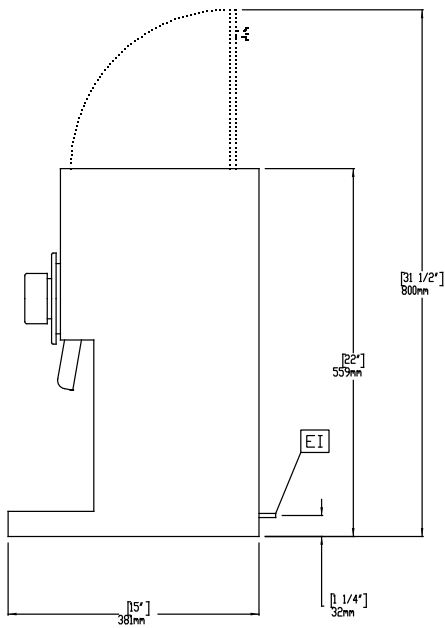
- Powerful motor with circuit breaker.
- Separate start/stop push buttons.
- Precision burrs.
- Stainless steel tidy tray with pull out drawer.
- Stainless steel front panel.

APPROVAL: \_\_\_\_\_

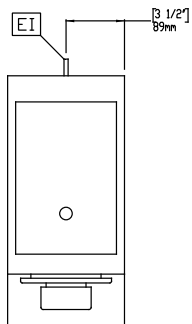
Front



Side



Top





**Electrolux**  
PROFESSIONAL

**Coffee System**  
**Coffee Grinder with Hopper, 0,7 kg,**  
**black**

**Electric**

Supply voltage: 220-240 V/1N ph/50/60 Hz  
Electrical power max: 1.8 kW

**Key Information:**

Net weight: 18 kg  
Shipping weight: 24 kg  
Shipping height: 700 mm  
Shipping width: 320 mm  
Shipping depth: 470 mm  
Shipping volume: 0.11 m<sup>3</sup>



**Coffee System**  
**Coffee Grinder with Hopper, 0,7 kg, black**

The company reserves the right to make modifications to the products without prior notice. All information correct at time of printing.

2025.04.19